

SV Series

End-of-Line Deflagration Flame Arresters



Light Duty With Fixed Elements

The Protectoseal SV Series is suitable for installation at the end of a pipeline or on atmospheric vents from vessels that may contain flammable gases or vapors.

In circumstances where a simple, lightweight product is required, the SV Series offers a cost-effective solution. Typical applications include equipment gas purging, sample lines, and instrumentation lines.



Principle of Operation

The SV Series includes elements with small apertures that permit the passage of gases or vapors.

During deflagration, heat dissipation cools the combustion products at the element surface, preventing the fire from spreading past the SV Series and into the protected vent line.

Explosion Gas Groups

The Protectoseal SV Series is certified for gases in **NEC Group C** and **IEC Group IIB3**.

Standards Compliance

Protectoseal's SV Series of End-of-line Deflagration Flame Arresters has been type-tested to **EN ISO 16852** and approved according to **ATEX Directive 2014/34/EU**.

Each SV that passes through Protectoseal's facilities undergoes a rigorous inspection and verification of its safety and performance features.

Protectoseal Expertise

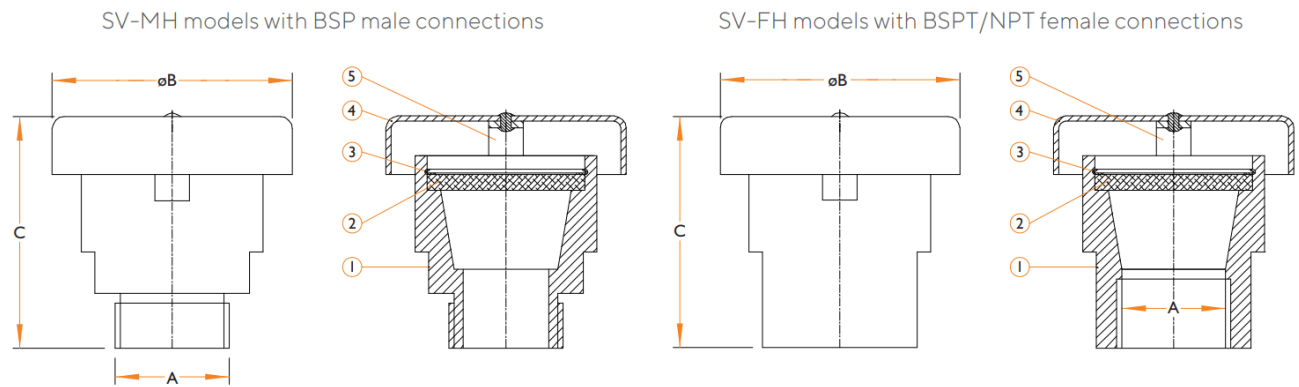
Protectoseal offers industry leading technical leadership with its renowned flame and explosion protection for the most diverse and challenging of industrial applications. By utilizing a range of testing facilities, advanced algorithms and computational fluid dynamics (CFD), our research and development team is constantly looking for new ways to challenge the status quo, thus providing best-in-class innovation.

With over 95 years in the business, we have an established sales and service team to support clients with their initial specifications and throughout the product's life cycle.

Features and Benefits

- Lightweight and compact
- Cost effective design utilising economical materials
- Threaded fitting
- Sizes and materials to accommodate a vast array of applications
- Lightweight for installation convenience
- Weatherhood for enhanced protection

General Arrangements:



Ref	Description	Materials
1	Body	Mazak 3/LM6 Aluminium
2	Element Core	Stainless Steel
3	Element Core Retaining Ring	Aluminium
4	Weatherhood	Aluminium
5	Hood Support Clip	Spring Steel

Selection Key

Positions	1	2	3	4	5	6	7	8
Example	S	V	-	0	1	5	F	H
Table	a	b	-	d			e	f
Model No.	S	V	-					H

Standard Options		
a	Flame Arrester Type	Safety
b	Model Variation	Valve
d	Size	Refer to Table 1
e	Pipe Connection Type	Refer to Table 2
f	Flame Arrester Housing Type	Hastelloy

Table 1: Sizes

d	Size	Dimensions				Ø Element	Weight
		A (male)	A (female)*	ØB	C		
015	1/2", 0.5", 15mm	1/2" BSP	1/2" BSPT/NPT	1.61", 41mm	2.29", 58mm	0.98", 25mm	0.3lbs, 0.15kg
020	3/4", 0.75", 20mm	3/4" BSP	3/4" BSPT/NPT	2.76", 70mm	2.64", 67mm	1.73", 44mm	0.3lbs, 0.3kg
025	1", 25 mm	1" BSP	1" BSPT/NPT	2.76", 70mm	2.64", 67mm	1.73", 44mm	0.3lbs, 0.3kg
050	2", 50 mm	2" BSP	2" BSPT/NPT	4.41", 112mm	3.03", 77mm	3.11", 79mm	1lb, 0.5kg

* BSPT/NPT female connection dimensions are approximate.

Table 2: Pipe Connection Type

e	Pipe Connection Type
F	BS EN10241 CL.150 NPT Female Screw Thread (Ref. BS1740)
M	BS EN 1092-1 PN10 Raised Face Slip-On (RFSO) - Type 12

Customer Support

Tel: 1.630.595.0800

Email: info@protectoseal.com

Fax: 1.630.595.8059

225 Foster Avenue Bensenville, IL 60106 U.S.A

