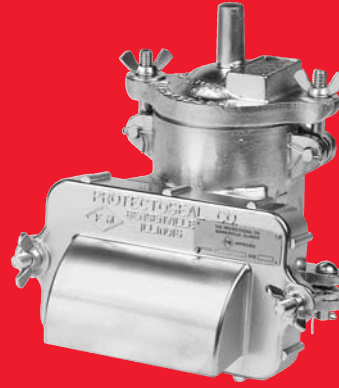




SERIES
830

- Sizes 2" (DN 50) through 10" (DN 250)
- Settings achieved by weight loading
- Suitable for unconfined, NEC Group D (IEC Group IIA) vapor deflagrations
- Reduces costly evaporation losses
- Single body construction with external flame arrester
- Leakage rate of less than 1 SCFH of air at 90% of set point
- Patented, FEP film "Air-Cushioned Seating"
- Low-leak pallet design - certified test reports
- Factory tested / certified for leakage and correct settings
- Available in Aluminum, Ductile Iron and Stainless Steel



OBJECTIVE

The Protectoseal Series No. 830 Combination Conservation Vent and Flame Arrester is designed to provide pressure and vacuum relief to maintain tank's vapor space within safe operating parameters. Vent settings minimize loss of product. Under pressure venting conditions, tank vapors are expelled to atmosphere. Also serves as an End-of-Line Flame Arrester to protect tank's vapor space from external sources of ignition.

TECHNIQUE

Pallets in vent housing minimize air and vapor loss as the tank "breathes". They open and close just enough to maintain safe working pressures and avoid damage to the tank. An integral flame arrester protects tank contents against fire and explosion caused by exterior sources of ignition. Rectangular plate-type flame arrester element(s) are mounted external to pallet assemblies for ease of use and are only exposed to vapors when venting.

Guided pallet assemblies insure proper alignment on the seat and smooth lifting and reseating action.

Optimized Performance Vents™

Protectoseal's "Optimized Performance Vents" incorporate patented features that provide the optimum overall vent performance with regard to sealing, set point, flow and resealing (blow down).

SPECIAL FEATURES

Fast Inspection, Easy Maintenance. "Swing bolt design" permits removal of the vent housing cover and/or weatherhood(s) for easy, convenient handling for inspection and maintenance.

Maintains Accurate Pressure Settings. Set points are accurate to within +/- 3% across the entire range of available settings. Units may be weight loaded for use on installations requiring higher settings.

Air-Cushioned Seating. A flat, smooth diaphragm of FEP film is supported on both sides of an annular channel to form a floating air seal with the seat. An outer support rim assures proper seating.

Automatic Condensate Drainage. Vertically mounted, rectangular plate-type flame arrester is employed for self-drainage of condensate. Grids are mounted externally and are only exposed to vapors when venting.

Low-Leakage. Vent leakage is no more than 1 SCFH at 90% of the set pressure.

Positive Flame Arresting. Correct air spacing between the individual plates is assured through a series of precision embossings on the face of each plate. Each plate is fabricated from heavy gauge metal to resist distortion during cleaning and reassembly.

Sizes Available. 2" (DN 50), 3" (DN 80), 4" (DN 100), 6" (DN 150), 8" (DN 200) and 10" (DN 250). Please refer to dimension chart on reverse for flange connection options.

Test Lab Listings. Approved by Factory Mutual Research (FM) in 2", 3", 4", 6" and 8". Listed by Underwriters Laboratories (UL) in 6", 8" and 10". For arresters that meet the latest ATEX Directive, ISO 16852, please refer to Series 830E.

PRO-FLOW® Sizing and Selection Software.

Use PRO-FLOW® to select the correct size unit for pressure and vacuum relief calculated in accordance with API 2000, ISO 28300, NFPA 30 and OSHA 1910.106.

Quality Assurance. Each unit is factory tested for leakage and correct settings to meet Protectoseal's high standards prior to shipment.

CONSTRUCTION

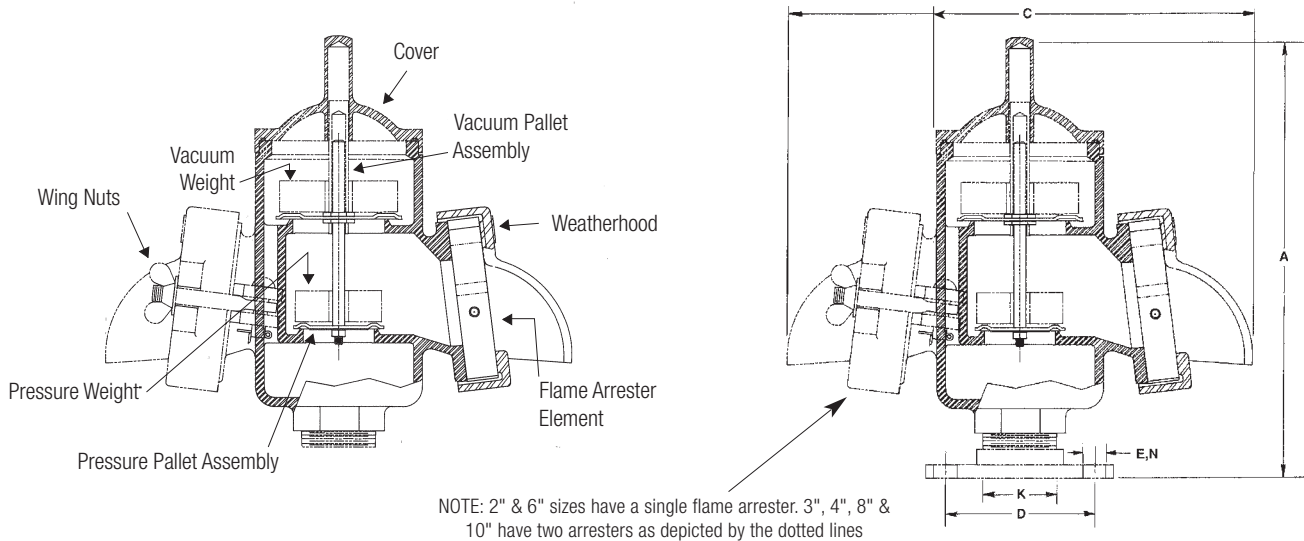
A comprehensive range of materials is offered as shown in the chart below. Other materials and features can be furnished upon request.

Available Options.

- Alternate diaphragm materials
- Material certifications for castings
- Lower than standard minimum pressure and /or vacuum setting

Series	Housing	Pallet	Pallet Diaphragm	Flame Arrester Grid Assembly
830	Aluminum 356	Aluminum	FEP Film	Aluminum
C830	Ductile Iron	316 S.S.	FEP Film	316 S.S.
E830	Aluminum 356	Aluminum	FEP Film	316 S.S. (Alum. Frame)
F830	316 S.S.	316 S.S.	FEP Film	316 S.S.
RE830	Aluminum 356	316 S.S.	FEP Film	316 S.S. (Alum. Frame)

Note: Aluminum flanged to mate with 125# ANSI and DIN PN 16 flat face flanges. All other materials mate with 150# ANSI and DIN PN 16 raised face flanges.



DIMENSIONS & ORDERING INFORMATION (Dimensions shown are for reference only, contact Factory for certified drawings.)

Cat. No.	Connection - K			Ht A	Dia C	B.C D	Dia. E	Holes N	Test Lab Listing
	FNPT	ANSI	DIN 16 PN						
832H	2"	-	-	12.63" (320mm)	10.13" (257mm)	-	-	-	FM
832HF	-	2"	-	14.63" (371mm)	10.13" (257mm)	4.75" (121mm)	.75" (19mm)	4	FM
832DNHF	-	-	DN 50	371mm (14.63")	257mm (10.13")	125mm (4.92")	19mm (.75")	4	-
833H	3"	-	-	14.81" (376mm)	15.63" (397mm)	-	-	-	FM
833HF	-	3"	-	17" (432mm)	15.63" (397mm)	6" (152mm)	.75" (19mm)	4	FM
833DNHF	-	-	DN 80	432mm (17")	397mm (15.63")	160mm (6.3")	18mm (.72")	8	-
834H	4"	-	-	15.75" (400mm)	19.25" (489mm)	-	-	-	FM
834HF	-	4"	-	18.5" (470mm)	19.25" (489mm)	7.5" (190mm)	.75" (19mm)	8	FM
834DNHF	-	-	DN 100	470mm (18.5")	489mm (19.25")	180mm (7.09")	18mm (.72")	8	-
836C	-	6"	-	18" (457mm)	24.75" (628mm)	9.5" (240mm)	.87" (22mm)	8	UL / FM
836DNC	-	-	DN 150	457mm (18")	628mm (24.75")	240mm (9.5")	22mm (.87")	8	-
838B	-	8"	-	22" (559mm)	35" (889mm)	11.75" (295mm)	.87" (22mm)	8	UL / FM
838DNB	-	-	DN 200	559mm (22")	889mm (35")	295mm (11.75")	22mm (.87")	12	-
840	-	10"	-	29" (737mm)	46" (1168mm)	14.25" (355mm)	1" (26mm)	12	UL
840DN	-	-	DN 250	737mm (29")	1168mm (46")	355mm (14.25")	26mm (1")	12	-

PRESSURE AND/OR VACUUM SETTINGS (Consult factory for settings outside of STANDARD range.)

Connection Size	STANDARD MINIMUM SETTINGS						STANDARD MAXIMUM SETTINGS					
	PRESSURE & VACUUM						PRESSURE			VACUUM		
	Aluminum			Other Materials			All Materials			All Materials		
	oz./in. ²	in.W.C.	kPa	oz./in. ²	in.W.C.	kPa	oz./in. ²	in.W.C.	kPa	oz./in. ²	in.W.C.	kPa
2" / DN 50	0.50	0.87	0.22	0.75	1.30	0.32	16.00	27.68	6.89	8.00	13.84	3.45
3" / DN 80	0.50	0.87	0.22	0.75	1.30	0.32	16.00	27.68	6.89	8.00	13.84	3.45
4" / DN 100	0.50	0.87	0.22	0.75	1.30	0.32	16.00	27.68	6.89	8.00	13.84	3.45
6" / DN 150	0.50	0.87	0.22	0.75	1.30	0.32	13.80	23.87	5.95	8.50	14.71	3.66
8" / DN 200	0.50	0.87	0.22	0.75	1.30	0.32	14.90	25.78	6.42	3.60	6.23	1.55
10" / DN 250	0.50	0.87	0.22	0.75	1.30	0.32	29.40	50.86	12.67	9.20	15.92	3.96



225 Foster Ave., Bensenville, IL 60106-1690
 P 630.595.0800 F 630.595.8059
 info@protectoseal.com www.protectoseal.com