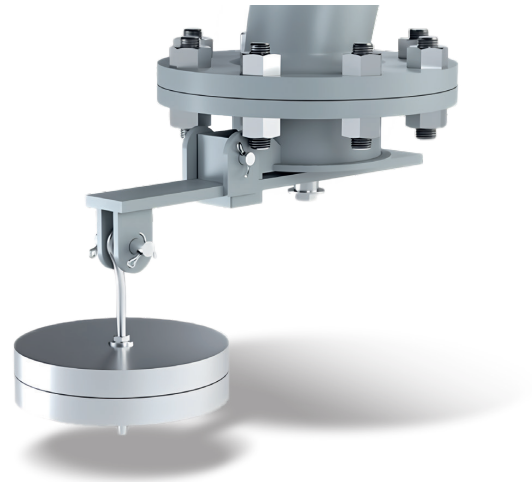


Series 7300D Overflow Valve



- Sizes 2" (DN 50) through 12" (DN 300)
- Mounts on storage tank overflow pipe
- Vents directly to atmosphere
- Pressure setting achieved by weight loading
- Hinged/counterweight design allows for higher settings
- Patented, FEP Film "Air-Cushioned Seating"
- Low-Leak Pallet Design
- Available in Carbon Steel, Stainless Steel, and C276

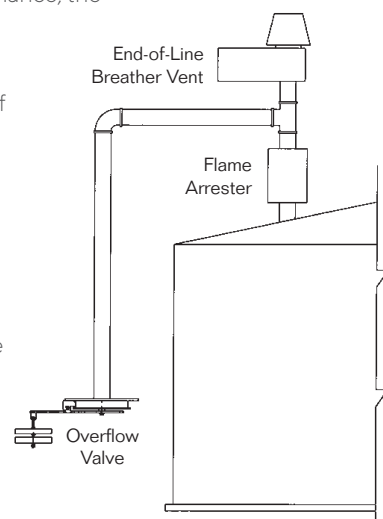


Objective

Protectoseal Series 7300D Overflow Valve eliminates an open overflow pipe connection into the vapor space of the tank. The Series 7300D is not a primary pressure relief device. Its function is to provide sealing of a liquid overflow pipe against gross vapor or liquid leakage until the set point of the valve is reached.

Technique

Mount the valve to the appropriate tank flange on a vertical liquid overflow pipe using gaskets compatible with service conditions. For best performance, the vent should be mounted level so that the seating surface is no more than 1° off horizontal. Make sure the pallet assembly is free to hinge open and reseal with no interference from surrounding equipment. The Overflow Valve will remain closed until pressure acting on the pallet assembly (caused by tank pressure and/or liquid head in the overflow pipe) exceeds the set point of the valve.



The valve will hinge open and then reseal when pressure has been relieved. Liquid and vapor leakage may be encountered before the nominal set point is reached.

Special Features

Fast Inspection, Easy Maintenance.

Design and lightweight unit permits easy, convenient handling for inspection and maintenance.

Higher Pressure Settings.

The hinged design of the Series 7300D allows for higher pressure settings than are available on other dead weight-loaded vents of similar size. Full open flow capacity and automatic reclosing of the vent as tank pressure decreases provide efficient and dependable venting capability while minimizing the amount of vapor unnecessarily vented to the atmosphere.

Maintains Accurate Pressure Settings.

Set points are accurate to within +/- 3% across the entire range of available pressure relief settings shown in the chart on the reverse. Set point accuracy is assured by stringent machining, assembly and test procedures.

Air-Cushioned Seating.

A flat, smooth diaphragm of FEP film is supported on both sides of an annular channel to form a floating air seal with the seat.

Low-Leak Covers.

Leakage on vent covers is no more than 10 SCFH at 90% of the set pressure.

Sizes Available.

Available in 2" (DN 50) through 12" (DN 300) sizes. Flanged to mate with standard flanged 150# ANSI or DIN PN 16 bolting specifications. Other drilling patterns are also available upon special request.

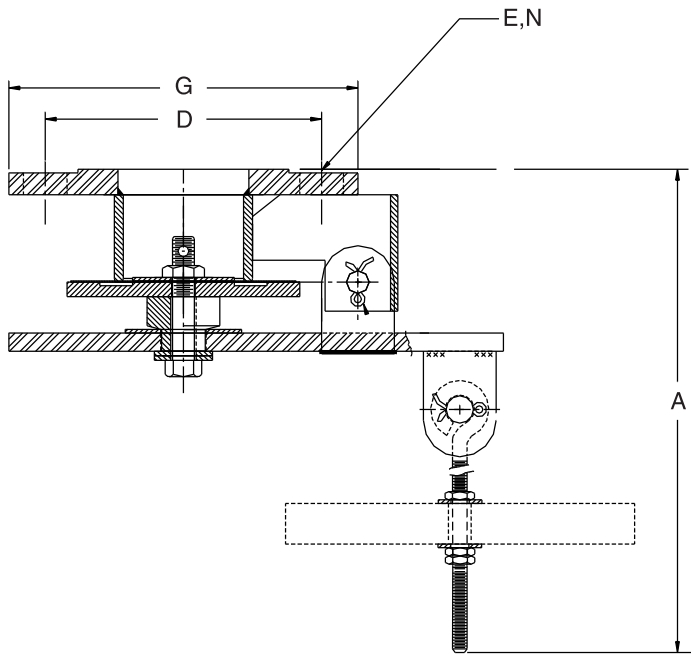
Materials of Construction

A comprehensive range of materials is offered as shown in the chart below. Other materials and features can be furnished upon request. These include C276, FRP, various diaphragm materials and metal-to-metal seating. Please consult factory for availability.

Series	Base Flange/Seat	Pallet	Pallet Diaphragm	Weight Material
7300DA	Carbon Steel	Steel	FEP Film	Steel or Lead
F7300DA	316 S.S.	316 S.S.	FEP Film	S.S. or Lead
M7300DA	C276	C276	FEP Film	C276 or Lead

Note: All materials flanged to mate with 150# ANSI or DIN PN 16 bolting specifications

Specifications



Dimensions and Ordering Information

(Dimensions shown are for reference only, contact Factory for certified drawings.)

Cat. No.*	Flange Size	Ht.	B.C.	Dia.	Hole Dia.	Holes
		A	D	G	E	N
7302DA	2"	9 3/8"	4 3/4"	6"	3/4"	4
7302DN	DN 50	244mm	125mm	165mm	18mm	4
7303DA	3"	9 3/8"	6"	7 1/2"	3/4"	4
7303DN	DN 80	244mm	160mm	200mm	18mm	8
7304DA	4"	9 3/8"	7 1/2"	9"	3/4"	8
7304DN	DN 100	244mm	180mm	220mm	18mm	8
7306DA	6"	9 3/8"	9 1/2"	11"	7/8"	8
7306DN	DN 150	244mm	240mm	280mm	22mm	8
7308DA	8"	15 3/4"	1 3/4"	13 1/2"	7/8"	8
7308DN	DN 200	400mm	295mm	340mm	22mm	12
7310DA	10"	15 3/4"	14 1/4"	16"	1"	12
7310DN	DN 250	400mm	355mm	405mm	26mm	12
7312DA	12"	15 3/4"	17"	19"	1"	12
7312DN	DN 300	400mm	410mm	460mm	26mm	12

Minimum / Maximum Settings

Series	Material	MINIMUM SETTINGS			MAXIMUM SETTINGS		
		PRESSURE			PRESSURE		
		oz./in.2	in. W.C.	kPa	oz./in.2	in. W.C.	kPa
7300DA	All Materials	1.00	1.73	0.43	24.00	41.52	10.34

Consult factory for settings outside of STANDARD range.

Additional Products From Protectoseal



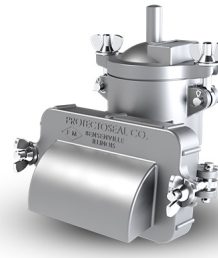
Series 8540H

End-of-Line Pressure / Vacuum Conservation Vent is intended for use where both pressure and vacuum relief are required. The pallets in the vent housing allow intake of air and escape of vapors as the tank normally breathes in and out.



Series UCA

In-line Unstable Detonation Flame Arresters are designed to prevent the propagation of gas or vapor explosions in pipelines under the most severe condition of unstable detonation. Suitable for NEC Group D (IEC Group IIA and IIA1) vapors.



Series 830

Combination Pressure / Vacuum Relief Vent & Flame Arrester provides pressure and vacuum relief as well as protection from propagation of externally introduced flames. Suitable for NEC Group D (IEC Group IIA) vapors.



Series AVC

End-of-Line Flame Arresters are designed to be installed at the end of a pipeline or exit vent from a vessel to provide protection against atmospheric deflagrations. Suitable for NEC Groups B, C, and D (IEC Groups IIB and IIC) vapors.

Business contact details:



The Protectoseal Company
(Headquarters)

✉ info@protectoseal.com
☎ 1.630.595.0800
🌐 www.protectoseal.com



Elmac Technologies Ltd.
T/A Protectoseal

✉ enquiries@protectoseal.uk
☎ +44 1352 717 560
🌐 www.protectoseal.com



Elmac Envisafe Technologies
Pvt. Ltd. T/A Protectoseal

✉ sales.eet@protectoseal.in
☎ +91 22 4100 6998
🌐 www.protectoseal.com

